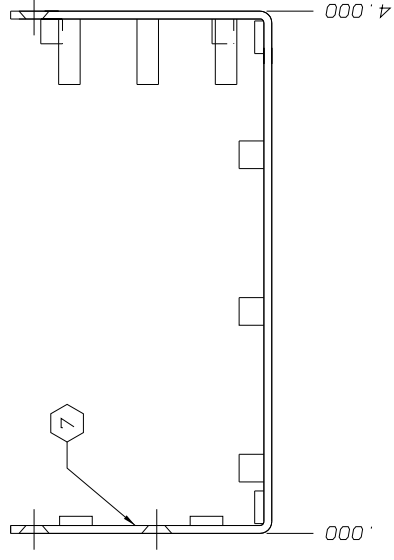
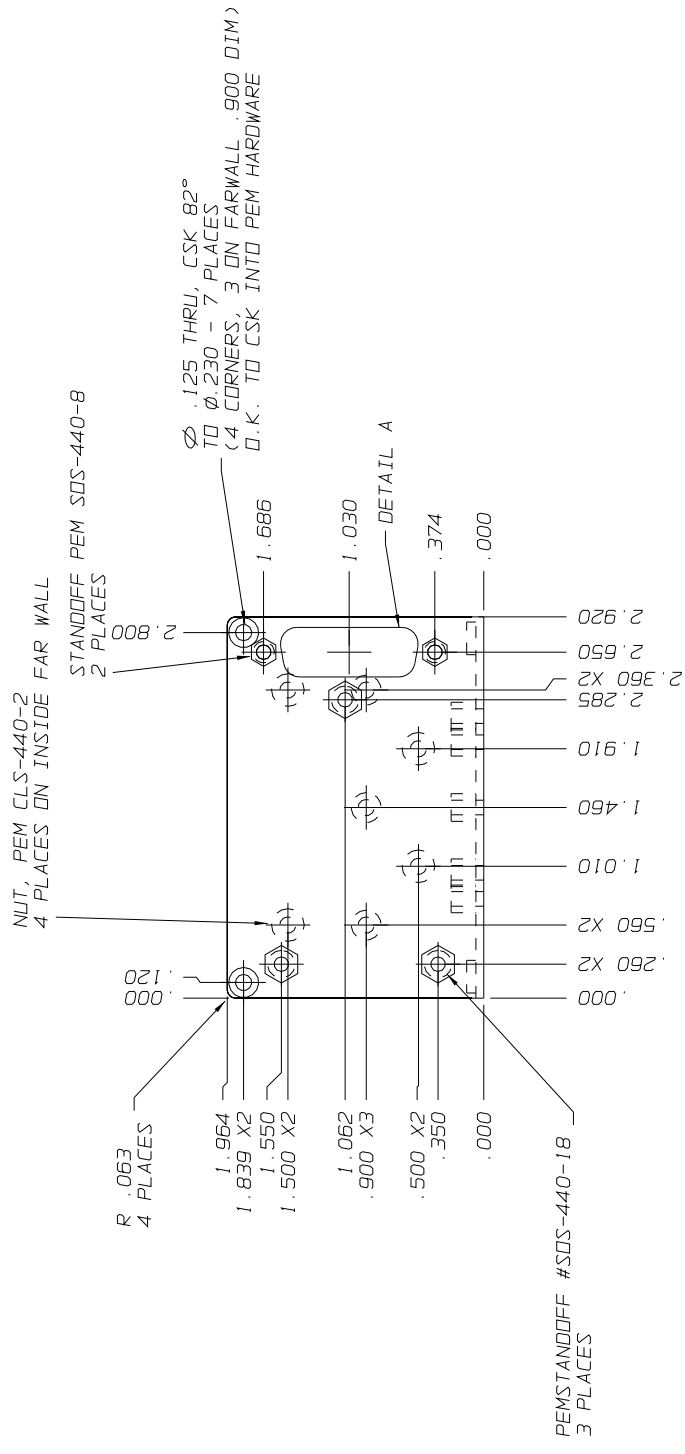
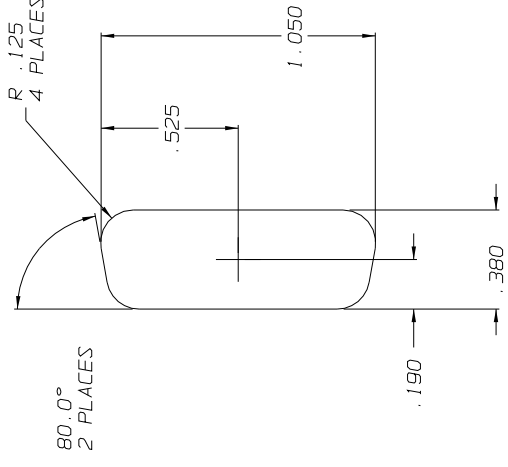
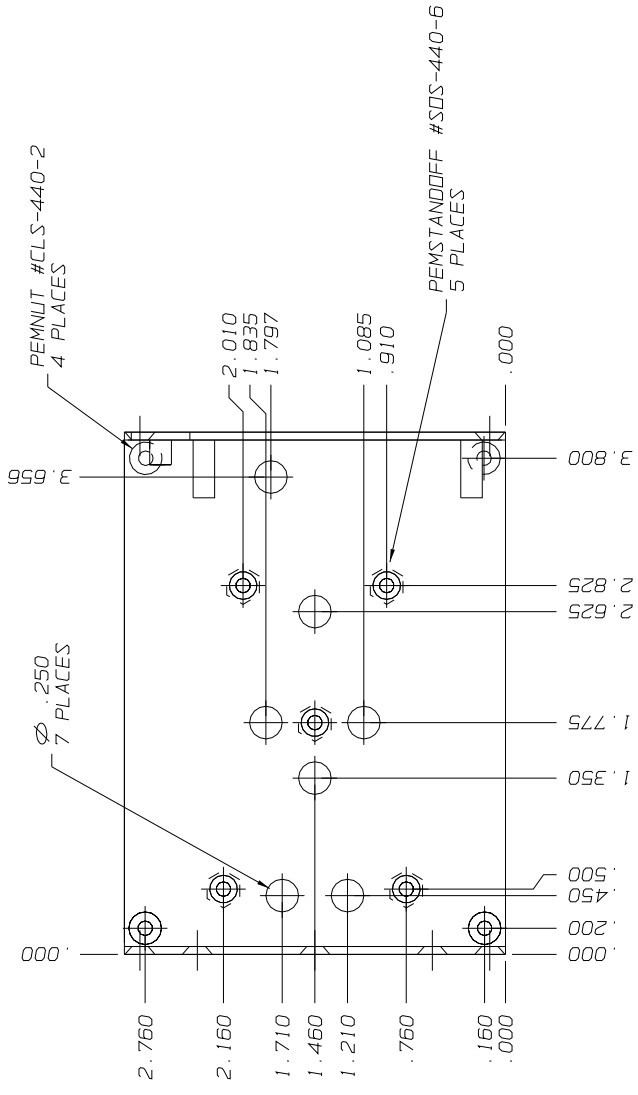


REVISIONS			
REV	DESCRIPTION	DATE	APPROVED
A	REVISION	6/3/96	JG/JRW
B	CHANGED (6) Ø.219 & (1) Ø.125 TO Ø.250 MOVED ONE STANDOFF X=.025" CHANGED PEMS FROM BSDS TO SDS	11/13/96	JG
C	CHANGED PEMSTANDOFF SDS-440-6 TO SDS-6440-6	8/27/98	TCS
D	REVERT TO SDS-440-6 ADD 4 PEM NUTS TO LEFT WALL	2/2/00	TCS

DETAIL A  
SCALE: 2/1



- NOTES:
- 1) ALL DIMENSIONS ARE IN INCHES
  - 2) TOL +/- .010 UNLESS OTHERWISE NOTED
  - 3) USE MINIMUM RADIUS ON ALL BENDS
  - 4) REMOVE ALL SHARP EDGES AND BURRS
  - 5) MATERIAL: .0598 THICK CRS SHEET (16 ga.)
  - 6) FINISH: NICKEL PLATE, NO BLEMISHES ON OUTER SURFACE
  - 7) RUBBER STAMP ON THIS SURFACE IN .12 - .19 HIGH CHARACTERS: 7-00636-720.REVB

STANFORD RESEARCH SYSTEMS, Inc.	
ASSEMBLY:	RUBIDIUM OSCILLATOR
TITLE:	
1290-D REAMWOOD AVENUE SUNNYVALE, CA 94089	
PHONE: (408) 744-9040 FAX: 4087449049 TELEX: 706891 SRS UD	
SIZE: SRS REF# C RB-4	SRS PART# 7-00636-720
REV	D
SCALE: 1:1	DATE: 4/12/94
DRAWN BY: JG	SHEET 1 OF 1